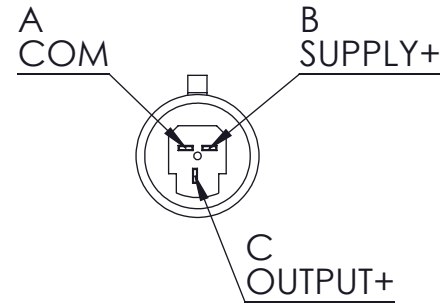
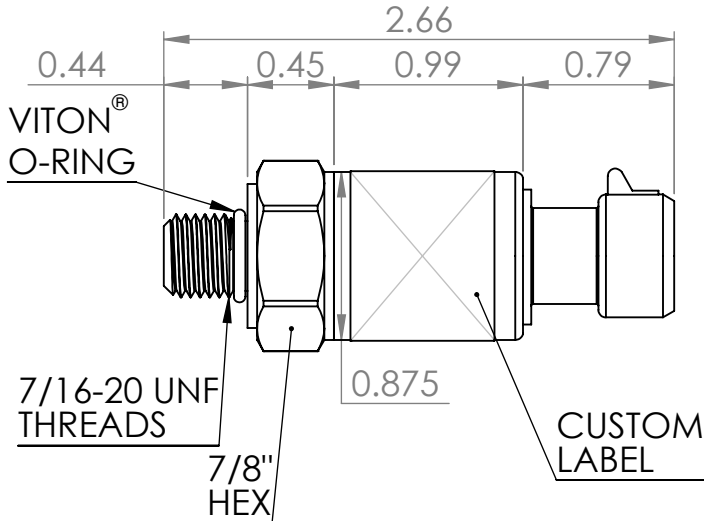


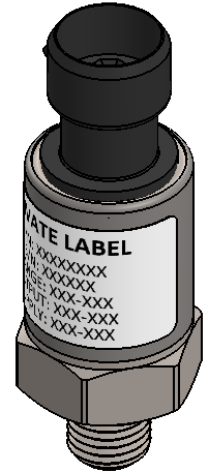
PROPRIETARY AND CONFIDENTIAL

THE INFORMATION CONTAINED IN THIS DRAWING IS THE SOLE PROPERTY OF DIGIVAC. ANY REPRODUCTION IN PART OR AS A WHOLE WITHOUT THE WRITTEN PERMISSION OF DIGIVAC IS PROHIBITED.

REV	DESCRIPTION	DRAWN	CHECKED	DATE
01	INITIAL DESIGN	JB	TW	08/12/2013



MATING CONNECTOR			
CONNECTOR NUMBER	12065287	PACKARD ELECTRIC METRI-PACK 150	1 REQUIRED
TERMINAL NUMBER	12089290	PACKARD ELECTRIC METRI-PACK 150	3 REQUIRED



TRANSDUCER SPECIFICATIONS

Input	
Supply Voltage	5.00VDC
Pressure Range	1-775.7 Torr
Proof Pressure	2X Full Scale
Burst Pressure	3X Full Scale
Fatigue Life	More than 4 million cycles
Output	0.5-4.5VDC (ratiometric)


Performance	
Accuracy	± 0.25% BFSL (± 2 Torr)
Stability	± 0.25% Per Year
Compensated Temperatures	-0 to 50° C (32 to 120° F)
Operating Temperatures	-10 to 85° C (12 to 185° F)
Zero/Span Offset Tolerance	± 1.0%
Current Consumption	<3mA

Mechanical Configuration	
Pressure Port	7/16-20 UNF
Electrical Connection	Packard
Ingress Rating	IP66
Media	Compatible with 316SS
Housing	304 Stainless Steel
Wetted Material	316 Stainless Steel
Customer Part # / SKU #	SEN-775i-UNF

CONCEPT DRAWING
REFERENCE COPY

CUSTOMER APPROVAL: _____

DATE: _____

UNLESS OTHERWISE SPECIFIED: DIMENSIONS ARE IN INCHES TOLERANCES: FRACTIONAL ± ANGULAR: MACH ± BEND ± TWO PLACE DECIMAL ±.01 THREE PLACE DECIMAL ±.005	DRAWN	JB			
	CHECKED	TW			
	ENG APPR.				
	MFG APPR.				
INTERPRET GEOMETRIC TOLERANCING PER:	Q.A.		TITLE: CUSTOM VACUUM SENSOR		
MATERIAL	COMMENTS: TORQUE RECOMMENDATION: 9 lb-ft		DWG. NO. JB08122013-005		
FINISH			SCALE: 1:1	WEIGHT:	SHEET 1 OF 1
DO NOT SCALE DRAWING					