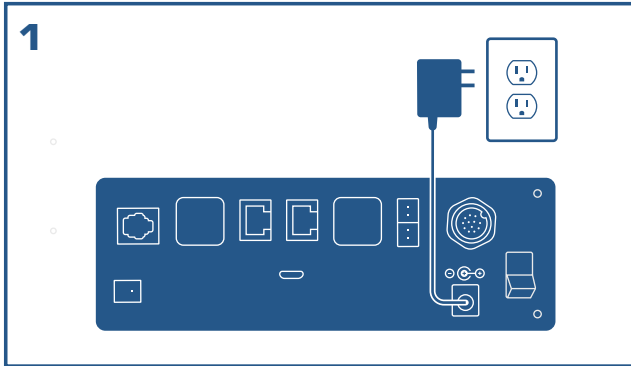
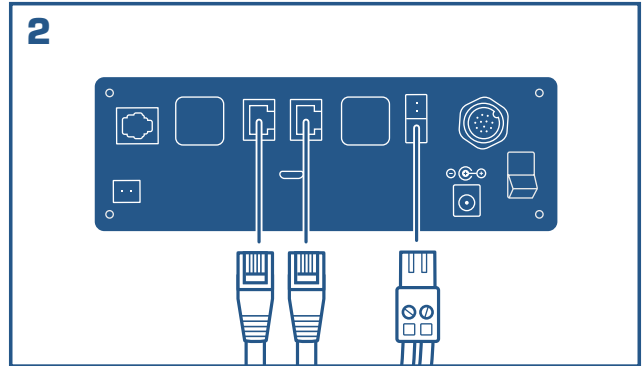


Quick Start Guide

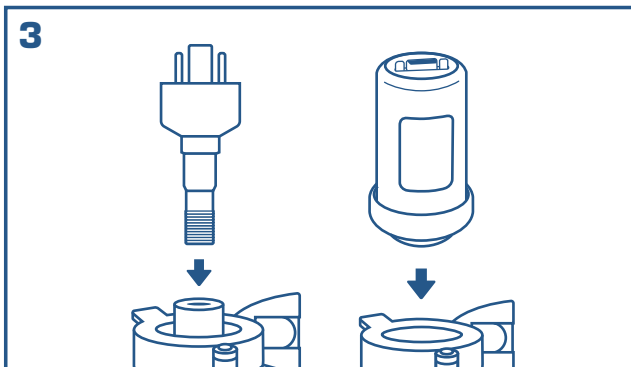
StrataVac Touch



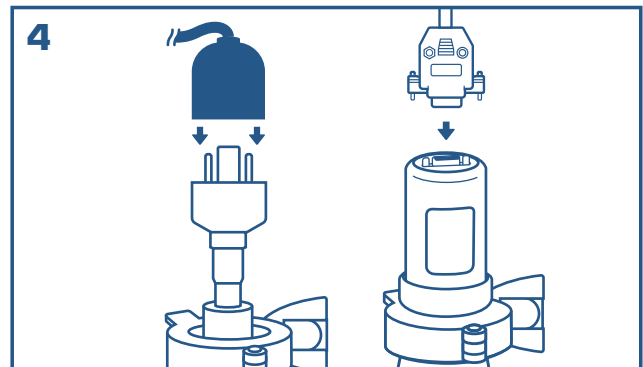
1 Connect the display, connect the power supply to the unit and wall. Verify that StrataVac powers on then power off.



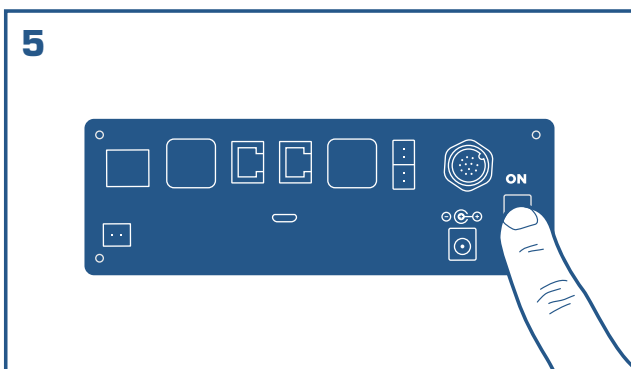
2 Connect the sensor cables and valve relay cables to StrataVac ports.



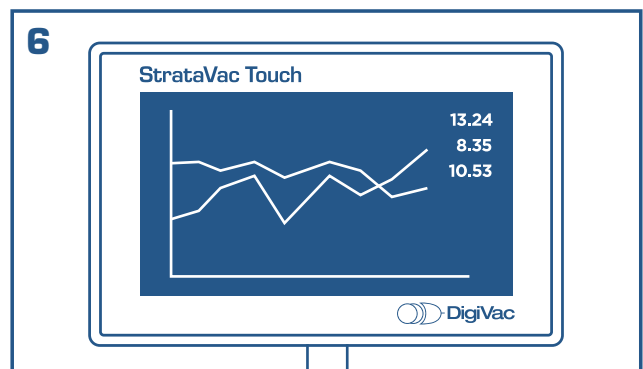
3 Plumb the sensor(s) into your vacuum systems.



4 Connect sensor cables to sensors. Make sure to use properly labeled cable and port.



5 Turn StrataVac Touch on.



6 Read current vacuum, control pressure, and flow.